

Sensor-switched LED outdoor light

L 260 S

EAN 4007841 007874

Article number 007874



LED

Langlebige LED
25.000 h CRI 80

3000 K

3000K warmweiß



Infrarot-Sensor
240°



Max. 10 m



IP44



2 - 2000 Lux



5 Sek - 15 Min



Lichtquelle nicht
austauschbar



Betriebsgerät nicht
austauschbar



Softlichtstart

Function description

The classic sensor. Now even more economical. STEINEL sensor-switched outdoor light L 260 S, ideal for building entrances, fronts of buildings, patio and side areas. 9,87 W STEINEL LED lamp, 703 lm, 240° infrared sensor, 12 m reach, high-quality stainless steel with opal glass shade.

Technical specifications

Dimensions (L x W x H)	177 x 102 x 426 mm
With lamp	Yes, LED lamp
Manufacturer's Warranty	3 years
Settings via	Potentiometers
With remote control	No
PU1, EAN	4007841007874
Application, place	Outdoors
Application, room	outdoors, front door, all round the building, terrace / balcony, courtyard & driveway
Installation site	wall
Impact resistance	IK03
IP-rating	IP44
Protection class	I
Ambient temperature	-20 – 50 °C
Housing material	Stainless steel
Cover material	Glass opal
Mains power supply	230 – 240 V / 50 Hz

Reach, radial	r = 6 m (75 m ²)
Reach, tangential	r = 12 m (302 m ²)
Photo-cell controller	Yes
Abdeckmaterial Lieferumfang	shrouds
Luminous flux total product	703 lm
Measured luminous flux (360°)	703 lm
Total product efficiency	71,2 lm/W
Colour temperature	3000 K
Colour variation LED	SDCM3
Lamp	LED can be replaced
LED life expectancy (max. °C)	25000 h
Base	E27
LED cooling system	Passive Thermo Control
Soft light start	Yes
Continuous light	selectable, 4h
Twilight setting	2 – 2000 lx
Time setting	5 s – 15 Min.

<https://www.steinell.de>

Subject to technical modifications

04.2024 Page 1 from 3

Sensor-switched LED outdoor light

L 260 S

EAN 4007841 007874
Article number 007874



Technical specifications

Output	9,87 W	Basic light level function	No
Mounting height max.	6,00 m	Interconnection	No
Slave modeselectable	No	Colour Rendering Index CRI	= 82
Sneak-by guard	Yes	Optimum mounting height	2 m
Capability of masking out individual segments	Yes	Detection angle	240 °
Electronic scalability	No		
Mechanical scalability	No		

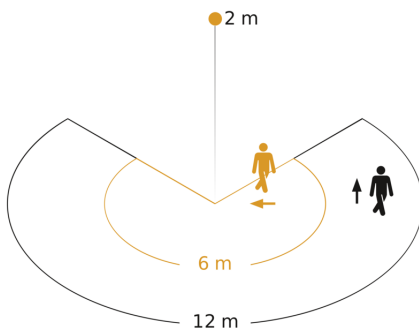
Accessories

EAN 4007841 008314	LED linear lamp for L 260 LED
EAN 4007841 001353	Replacement glass shade for L 260 S

L 260 S

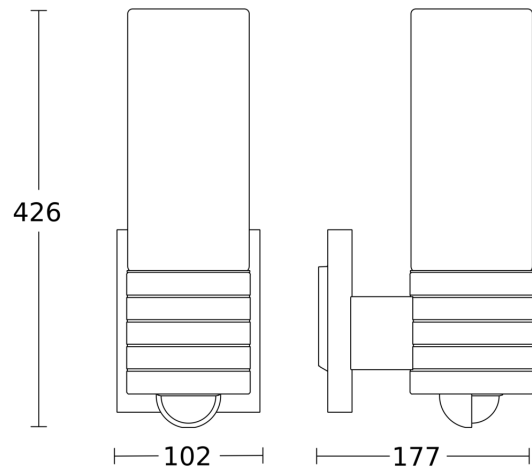
EAN 4007841 007874
Article number 007874

Detection Zone



Possible mounting height: 1,80 m - 6,00 m
Orange: radial
Black: tangential

Dimension Drawing



Circuit diagram

